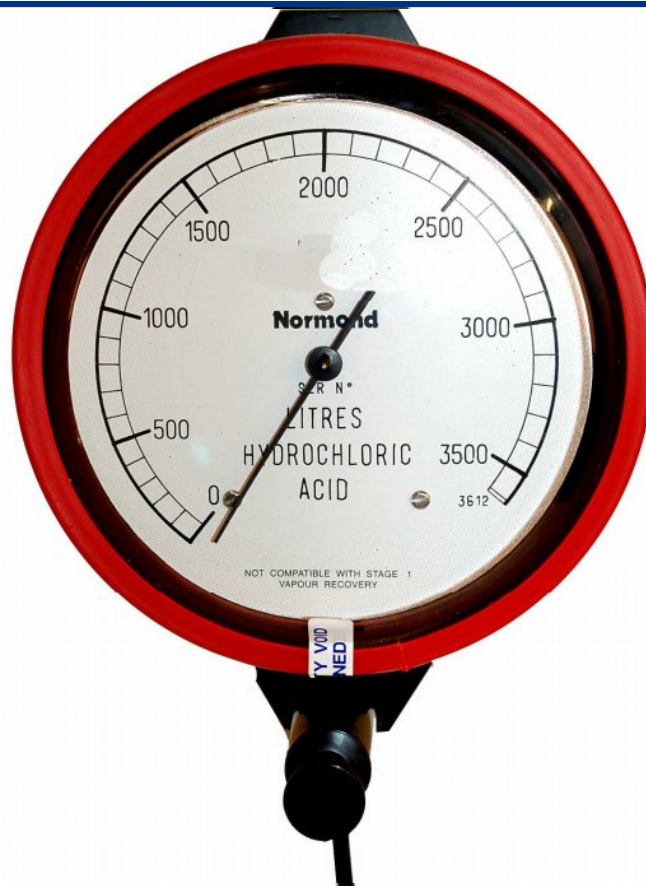


Normond G Series Analogue Gauge



The Normond series of Analogue Gauges are popular choices for commercial sites. Featuring a hand pump mechanism the gauges do not require any power and are therefore ideally suited for hazardous environments.

The G series is the most accurate of the Normond Gauges and is suitable for most liquids (excluding foods).

These gauges are robust, weather resistant and can be relied upon to consistently perform for many years with little maintenance.

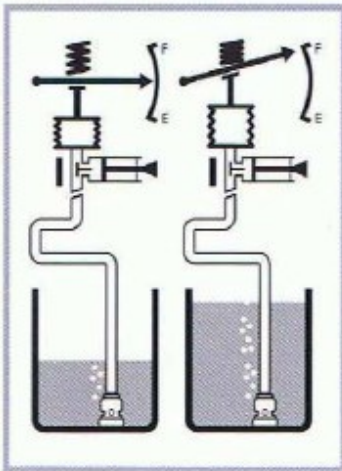
- For most liquids including fuel and chemicals
- Suitable for hazardous environments
- Caters for tanks with difficult access and up to 10m high
- Large format dials for easy reading
- Weather-resistant
- Repair and recalibration service
- Simple to install
- Highly reliable with thousands installed

Technical Information

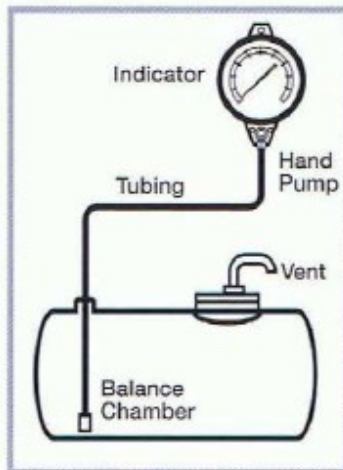
The Normond G series analogue gauge operate on the hydrostatic principal with a hand-pump, which means no power supply is required.

The pump displaces the liquid from the balance chamber, resulting in back pressure which is detected by the gauge and displayed on the dial as volume, weight or depth. Customers can normally self-install the gauges.

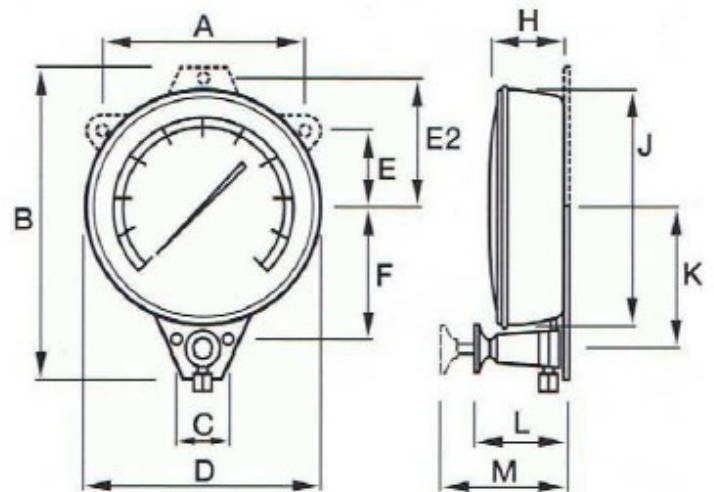
Operation



Installation



Dial Face Specification



Dial Face Size

B	C	D	E2	F
240mm	38mm	181mm	96.5mm	95.5mm
H	J	K	L	M
98mm	164mm	116.5mm	111.1mm	148.4mm

Balance Chamber Technical Information



Maintenance, Calibration and Testing Services

The G series gauge is individually calibrated using sophisticated software referenced to master instrumentation at our ISO9001 certified UK factory. The gauges can be regularly recalibrated if required and calibration certificates are supplied with each gauge. To minimise the risk of overfills with volatile or dangerous liquids, it is recommended 'fail to full' calibration is selected. Each gauge is supplied with a one year warranty

Please Note:

The gauges are not compatible with vapour recovery systems

DESIGN | MANUFACTURE | INSTALLATION

Digestors, Silos & Tanks Ltd, T/A SILOTANK, Pembroke Loop Road, Springbank Industrial Estate, Dunmurry, Belfast, BT17 0QL
Tel: +44 (0)28 9062 6256 Fax: +44 (0)28 9062 6224 Web: www.silotank.com Email: sales@silotank.com