

### Product Range Summary

Silotank has the tried and proven modular settlement tank range and the capability to produce tanks tailored to each specific Client process requirement.

Conical tanks can be manufactured for the following unit processes:

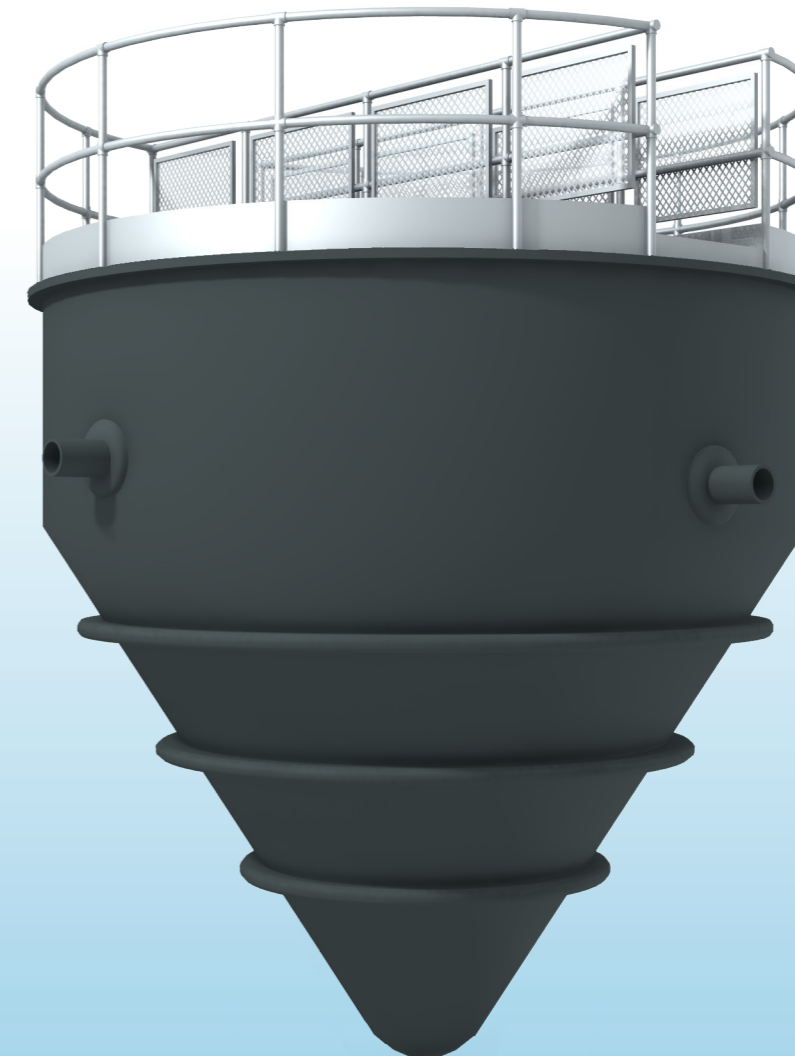
1. Primary Settlement with no co-settlement
2. Primary Settlement including humus sludge co-settlement
3. Primary Settlement including storm holding capacity
4. Final Settlement for fixed film and suspended growth secondary treatment processes
5. Storm Holding Capacity

As an extension to our established conical settlement tank capability Silotank can offer its complementary GRP & Thermoplastic products such as cylindrical sumps, pipework and cylindrical storage tanks to provide a package multi-asset solution with the full back up of its process design expertise.

# SILOTANK

## CONICAL SETTLEMENT TANKS

FABRICATED TO CLIENT PROCESS DESIGN



## SILOTANK

DESIGN | MANUFACTURE | INSTALLATION

CHEMICAL STORAGE / PROCESS TANKS & VESSELS, GRP COVERS, GRP LADDERS, PLATFORMS & WALKWAYS,  
GRP PIPE & DUCTWORK, TURNKEY ODOUR CONTROL & CHEMICAL SCRUBBING SYSTEMS

Digestors, Silos & Tanks Ltd, T/A **SILOTANK**, Springbank Industrial Estate, Pembroke Loop Road, Dunmurry, Belfast, BT17 0QL  
Tel: +44 (0)28 9062 6256 Fax: +44 (0)28 9062 6224 Web: [www.silotank.com](http://www.silotank.com) Email: [sales@silotank.com](mailto:sales@silotank.com)



UTILITIES VERIFICATION & ASSESSMENT SCHEME

Achilles ID No. 82493

# SILOTANK

## CONICAL SETTLEMENT TANKS

### Introduction

Silotank range of products include HDPE Conical (PE100 Black) settlement tank solutions for use in the wastewater treatment industry.

The settlement tank product range draws on our proven expertise manufacturing quality thermoplastic products to offer a solution for Industrial and Municipal Wastewater settlement requirements.

Silotank can fabricate a range of modular tank designs up to 6 metre diameter which are constructed to specific Client process design requirements. The advantage of our manufacturing techniques allows specific dimensions to be offered to our clients.

### Specific Tank Features

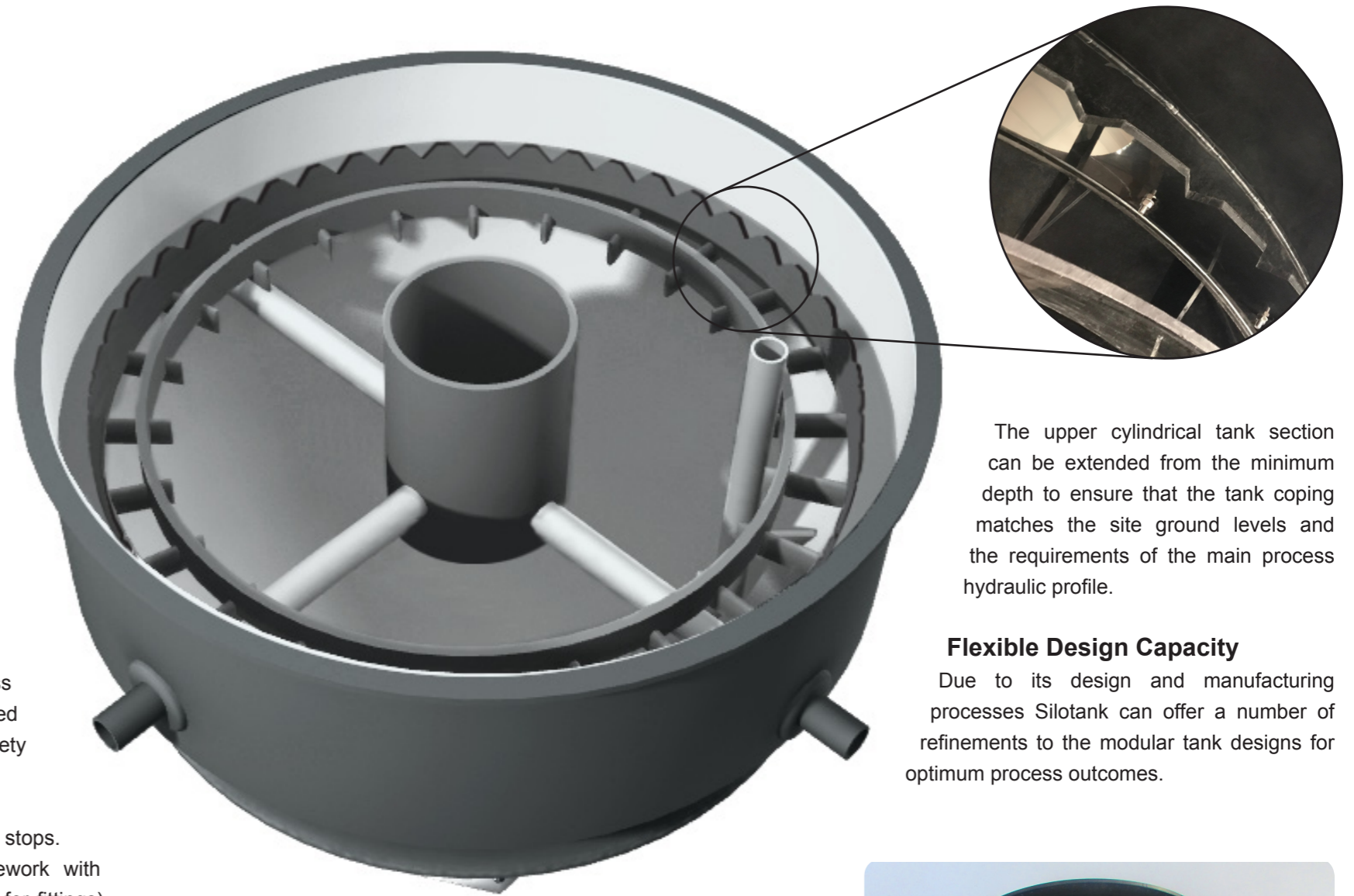
The conical settlement tanks construction method ensures a 'glass smooth' internal surface aiding solids removal and minimising tank internal cleaning requirements. The tanks are constructed in two piece units to aid transport and to the requirements of BSEN12573:2000 & DVS2205:2016 and are factory spark tested to guarantee their integrity once in service.



The 60° conical hopper slope allows even fine solids to be transported to the base of the tank for removal, assisting the production of a clarified effluent. The external structure of the tank cone is complete with reinforcing ribs which double as locating lugs to eliminate post installation movement of the tank in its surrounding media. The stiffening ribs incorporate drilled holes to allow the 'keying' of concrete.

Settlement tank access and process requirements are met by the factory fitted tank internals, connections and safety features including:

- Diffusion drum with scum removal hand stops.
- Inlet and outlet HDPE (PE100) pipework with standard push fit connectors (spec/BS for fittings) or flanges.
- De-sludge HDPE (PE100) pipework with anti-syphon vent doubling as an easily accessible rodding point.
- Internal HDPE launder trough with inbuilt positive hydraulic gradient and adjustable peripheral V-notch weir.
- Optional scum removal system and HDPE (PE100) outlet pipework.
- Optional Access walkway with handrails in either GMS or GRP
- Optional Peripheral handrails for fall protection



The upper cylindrical tank section can be extended from the minimum depth to ensure that the tank coping matches the site ground levels and the requirements of the main process hydraulic profile.

### Flexible Design Capacity

Due to its design and manufacturing processes Silotank can offer a number of refinements to the modular tank designs for optimum process outcomes.

To ensure rapid installation when the unit reaches site, each tank is fitted with an external base support structure. These are proven to reduce tank placing timescales and assist with the elimination of levelling tolerance issues commonly associated with plastic settlement tank spatial positioning.

The tanks are supplied as fully constructed two piece units dispensing with sectional construction and jointing upon delivery to site which can prove problematic when guaranteeing their future integrity and lengthening construction timescales.

